

OEL Recommended Spare Parts List

B401/B411L6/B431L6/ES4131L6

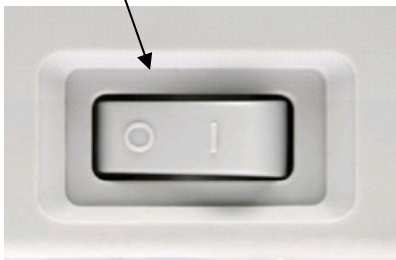
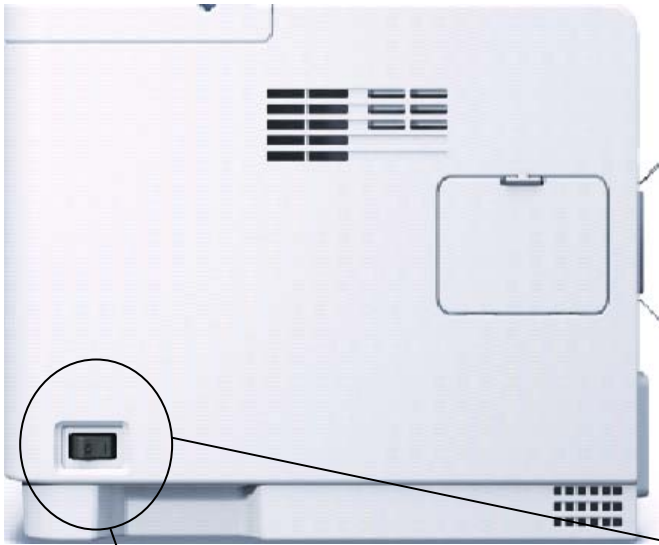


Revision 5

NOTE: B411/B431/ES4131 MODELS ONLY

Please check the power switch on the side of your printer to determine if you have a standard or L6 model:

The power switch colour will either be light grey/white or dark grey/black depending on the model:



B411/B431/ES4131 (standard model)



B411/B431/ES4131 (L6 model)

Alternately you can check the serial label or rating label, For example:



model number



B411/B431/ES4131 (standard model)

Ends with B
 B411dn/B411d - **N22201B / N22200B**
 B431dn/431d - **N22203B / N22202B**

B411/B431/ES4131 (L6 model)

Ends with BX
 B411dnLot6/401dnLot6 - **N22201BX**
 B411dLot6/B401dLot6 - **N22200BX**
 B431dnLot6/B431dLot6 - **N22203BX / N22202BX**

Please refer to the following RSPLs depending on your model:

Standard Model

B411 RSPL
 B431 RSPL

B401/B411/B431L6 RSPL

Rev	Unit Name	No.	Part No.	Part Name	Q' ty /Unit	Recommended Q' ty/Year			Remarks	Special	Del /Add	ks for environment
						per 500	per 1000	per 2000				
2	Printer Unit	1-a	44559001	Cassette-Assy (250sht)	1	1	2	4				
	Printer Unit	2	44384701	Frame Assy. -Retard	1	1	2	4				
	Printer Unit	3	43963101	Spring-Retard	1	1	2	4				
	Printer Unit	4	44563401	Plate-Assy-Side-L	1	1	2	4				
2	Printer Unit	5-a	44563502	Plate-Assy-Side-R (FN296/7)	1	1	2	4	B411/B431/ES4131			
	Printer Unit	5-b	44563503	Plate-Assy-Side-R	1	1	2	4	B401			
	Printer Unit	6	44563701	Duplex-Assy	1	1	2	4				
	Printer Unit	7-a	44561501	Front-Assy. -PN296	1	1	2	4	B401/B411			
2	Printer Unit	7-b	44561502	Front-Assy. -PN297	1	1	2	4	B431/ES4131			
	Printer Unit	8	44559301	Frame-Assy-TR	1	1	2	4				
	Printer Unit	9	44565806	Fuser-Assy-PN297 (230V)	1	5	10	20				
	Printer Unit	10	44563801	Guide-Assy-Eject-L	1	1	2	4				
2	Printer Unit	11-a	44563901	Frame-Assy-Rear	1	1	2	4				
	Printer Unit	12-a	44564201	Frame-Assy-Manual-PN296	1	1	2	4	B401/B411			
2	Printer Unit	12-b	44359203	Frame Assy. -MPT	1	1	2	4	B431/ES4131			
	Printer Unit	13-a	44564601	Cover-Assy-Manual-PN296	1	1	2	4	B401/B411			
2	Printer Unit	13-b	44564301	Cover-Assy-MPT-PN297	1	1	2	4	B431/ES4131			
	Printer Unit	14-a	44564901	Cover-Assy-Stacker-PN296	1	1	2	4	B401/B411			
2	Printer Unit	14-b	44564902	Cover-Assy-Stacker-PN297	1	1	2	4	B431/ES4131			
	Printer Unit	15-a	44560102	Cover-Assy-OPE (PN296-EURO)	1	1	2	4	B401/B411			
2	Printer Unit	15-b	44560202	Cover-Assy-OPE (PN297-EURO)	1	1	2	4	B431/ES4131			
	Printer Unit	16	44509801	Spring-Contact	5	5	10	20				
	Printer Unit	17	44554001	OR-Board -97H	1	1	2	4				
	Printer Unit	18	44557601	Cable-FFC-28P(Add)	1	1	2	4				
	Printer Unit	19	44261402	Clutch	1	1	2	4	Hopping Clutch			
2	Printer Unit	20	44261403	Clutch-3.5	1	1	2	4	B431/ES4131 MPT Clutch			
	Printer Unit	21	44261405	Clutch-4.5	1	1	2	4	Regist Clutch			
	Printer Unit	22	44557101	Motor-Fan	1	1	2	4				
	Printer Unit	23	44558301	Motor-DC (Main)	1	1	2	4				
	Printer Unit	24-a	44767401	Clamp-Cable	11	4	8	16	B401/B411			
2	Printer Unit	24-b	44767401	Clamp-Cable	12	4	8	16	B431/ES4131			
	Printer Unit	25	44560801	CONN Cord-JST11P-JST11P	1	1	2	4				
	Printer Unit	26	44557102	Motor-Fan	1	1	2	4				
	Printer Unit	27-a	45017702	Maintenance board 97C for OEL	1	1	2	4	B431dn(OEL)			
	Printer Unit	27-b	45017706	Maintenance board 97C for OEL	1	1	2	4	B431d(OEL)			
	Printer Unit	27-c	45017710	Maintenance board 97C for OEL	1	1	2	4	B411dn(OEL)			
	Printer Unit	27-d	45017714	Maintenance board 97C for OEL	1	1	2	4	B411d(OEL)			
	Printer Unit	27-e	45017719	Maintenance board 97C for OEL	1	1	2	4	B401dn(OEL)			
	Printer Unit	27-f	45017720	Maintenance board 97C for OEL	1	1	2	4	B401d(OEL)			
2	Printer Unit	27-n	45017726	Maintenance board 97C (OEL/ES4131dn)	1	1	2	4	ES4131dn(OEL)			
5	Printer Unit	27-p	45017728	97C mainte ES4131_OEL (ID life extended)	1	1	2	4	ES4131dn_OEL (ID life extended)		A	
	Printer Unit	28	44342303	PWR unit-ACDC Switch	1	1	2	4				
	Printer Unit	29	45001701	CONN Cord-AMP2P-AMP2P	1	1	2	4				

Rev	Unit Name	No.	Part No.	Part Name	Q' ty /Unit	Recommended Q' ty/Year			Remarks	Special	Del /Ad d	ks for enviro nment
						per 500	per 1000	per 2000				
4	Printer Unit	30	44362601	Gear-MPT-CL-Z28	1	1	2	4				
	Plate-Assy-Side-L	1	44473601	Lever-Sensor-Cassette	1	1	2	4				
	Plate-Assy-Side-L	2	44361501	Spring-Sensor-016	1	1	2	4				
	Plate-Assy-Side-L	3	44567701	CONN Cord-JST3P-TAG	1	1	2	4				
	Plate-Assy-Side-L	4	43289101	OR-Motor-FAN(80)	1	1	2	4				
	Plate-Assy-Side-R	1	44519301	Motor-Pulse	1	1	2	4				
	Plate-Assy-Side-R	2	2233013P0080	9715B-08Z02-G4C	1	1	2	4				
	Plate-Assy-Side-R	3	44430402	CONN Cord-AMP8P-AMP8P	1	1	2	4				
	Plate-Assy-Side-R	4	44555101	OR-Board-97T	1	1	2	4				
	Plate-Assy-Side-R	5	44561001	CONN Cord-AMP4P-AMP3P	1	1	2	4				
	Plate-Assy-Side-R	6	44567501	CONN Cord-AMP3P-SW	1	1	2	4				
	Plate-Assy-Side-R	7	6520028M0001	GP1A173LCS2F	1	1	2	4				
	Plate-Assy-Side-R	8	44560901	CONN Cord-AMP3P-JST3P	1	1	2	4				
	Duplex-Assy	1	44354101	Roller-Feed_Dup	2	2	4	8				
	Duplex-Assy	2	44379301	Bearing-Dup	4	4	8	16				
	Duplex-Assy	3	42060701	Bush	2	2	4	8				
	Duplex-Assy	4	RE4-SK	Ring	1	1	2	4				
	Front-Assy	1	44357501	Bearing-Feed-L	1	1	2	4				
	Front-Assy	2	44422901	Bearing-Feed-R	1	1	2	4				
	Front-Assy	3	44362101	Shaft-Roller-Feed	2	2	4	8				
	Front-Assy	4	44135601	Roller-Feed	2	2	4	8				
	Front-Assy	5	44357601	Bush-Feed	2	2	4	8				
	Front-Assy	6	6520028M0001	GP1A173LCS2F	1	1	2	4				
	Front-Assy	7	44569701	CONN Cord-AMP3P-AMP3P	1	1	2	4				
	Front-Assy	8	44549801	Lever-End	1	1	2	4				
	Front-Assy	9	44549901	Lever-End-Sub	1	1	2	4				
	Front-Assy	10	44550001	Spring-Lever-End	1	1	2	4				
	Front-Assy	11	43526601	Bush	1	1	2	4				
	Front-Assy	12	NK2-10-SUS	KNOCK PIN	1	1	2	4				
	Front-Assy	13	RE4-SK	Ring	2	2	4	8				
	Front-Assy	14	44483301	Roller-Assy-Hopping	1	1	2	4				
	Front-Assy	15	44483601	Roller-Assy-PickUp	1	1	2	4				
	Front-Assy	16	43355101	Roller-Pinch	1	1	2	4				
	Front-Assy	17	6520028M0001	GP1A173LCS2F	2	1	2	4				
	Front-Assy	18	44361301	Lever-Sensor-IN	1	1	2	4				
	Front-Assy	19	44361401	Lever-Sensor-WR	1	1	2	4				
	Front-Assy	20	44361501	Spring-Sensor-016	2	1	2	4				
	Front-Assy	21	44361602	Roller-Regist	1	1	2	4				
	Front-Assy	22	42796901	OR-RES-High-Voltage-Z	1	1	2	4				
	Front-Assy	23	RE5-SK	Ring	1	1	2	4				
	Frame-Assy-TR	1	43355101	Roller-Pinch	2	2	4	8				
	Frame-Assy-TR	2	43330101	Bearing-TR	2	2	4	8				
	Frame-Assy-TR	3	44432101	Roller-Transfer	1	1	2	4				

Rev	Unit Name	No.	Part No.	Part Name	Q' ty /Unit	Recommended Q' ty/Year			Remarks	Special	Del /Add	ks for environment
						per 500	per 1000	per 2000				
	Guide-Eject-Lower-Assy	1	6520028M0001	GP1A173LCS2F	1	1	2	4				
	Guide-Eject-Lower-Assy	2	44569301	CONN Cord-JST3P-AMP3P	1	1	2	4				
	Guide-Eject-Lower-Assy	3	44365701	Lever-Sensor_Exit	1	1	2	4				
	Guide-Eject-Lower-Assy	4	44365901	Spring-Sensor_Exit	1	1	2	4				
	Frame-Rear-Assy	1	44364301	Shaft-Assy. -Eject	2	2	4	8				
	Frame-Rear-Assy	2	2071152P0001	D2X-C	1	1	2	4				
	Frame-Rear-Assy	3	44569601	CONN Cord-AMP2P-AMP2P	1	1	2	4				
	Manual-Assy	1	43355101	Roller-Pinch	1	1	2	4	B401/B411			
2	MPT-Assy	1	43922401	Frame Assy. -Separator	1	1	2	4	B431/ES4131			
2	MPT-Assy	2	43922301	Roller-Assy-MPT	1	1	2	4	B431/ES4131			
2	MPT-Assy	3	43355101	Roller-Pinch	1	1	2	4	B431/ES4131			
	Cover-Stacker-Assy	1	44570901	Cable-FFC-20P(Add)	1	1	2	4				
	Cover-Stacker-Assy	2-a	44317201	LED Head Unit-51TRA	1	1	2	4	B401/B411 600dpi			
2	Cover-Stacker-Assy	2-b	44557701	LED Head Unit-61TRA	1	1	2	4	B431/ES4131 1200dpi			

OEL Spare Parts Drawing

B401/B411L6/B431L6/ES4131L6



Revision 1

Printer Unit (B431)

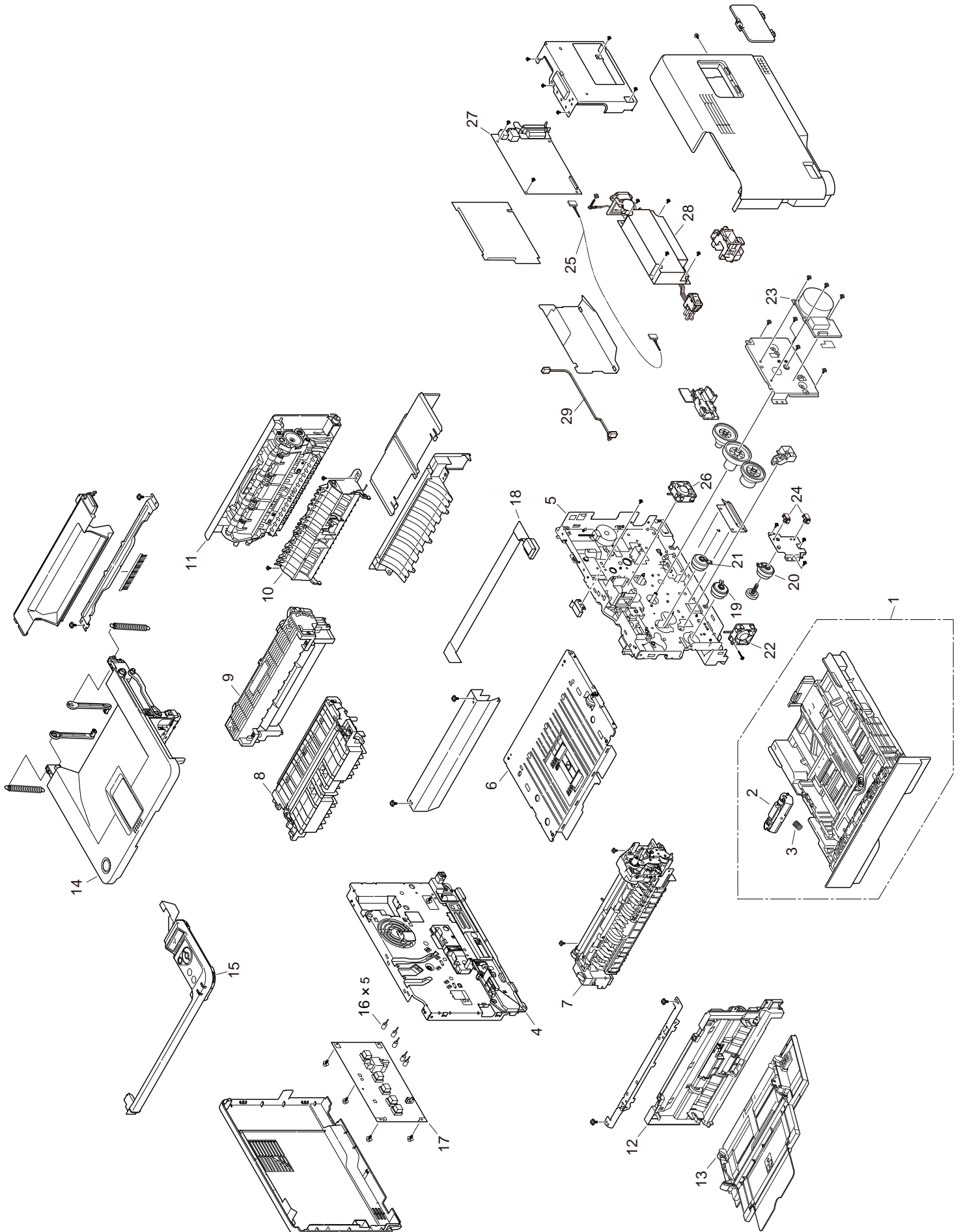


Plate-Assy-Side-L

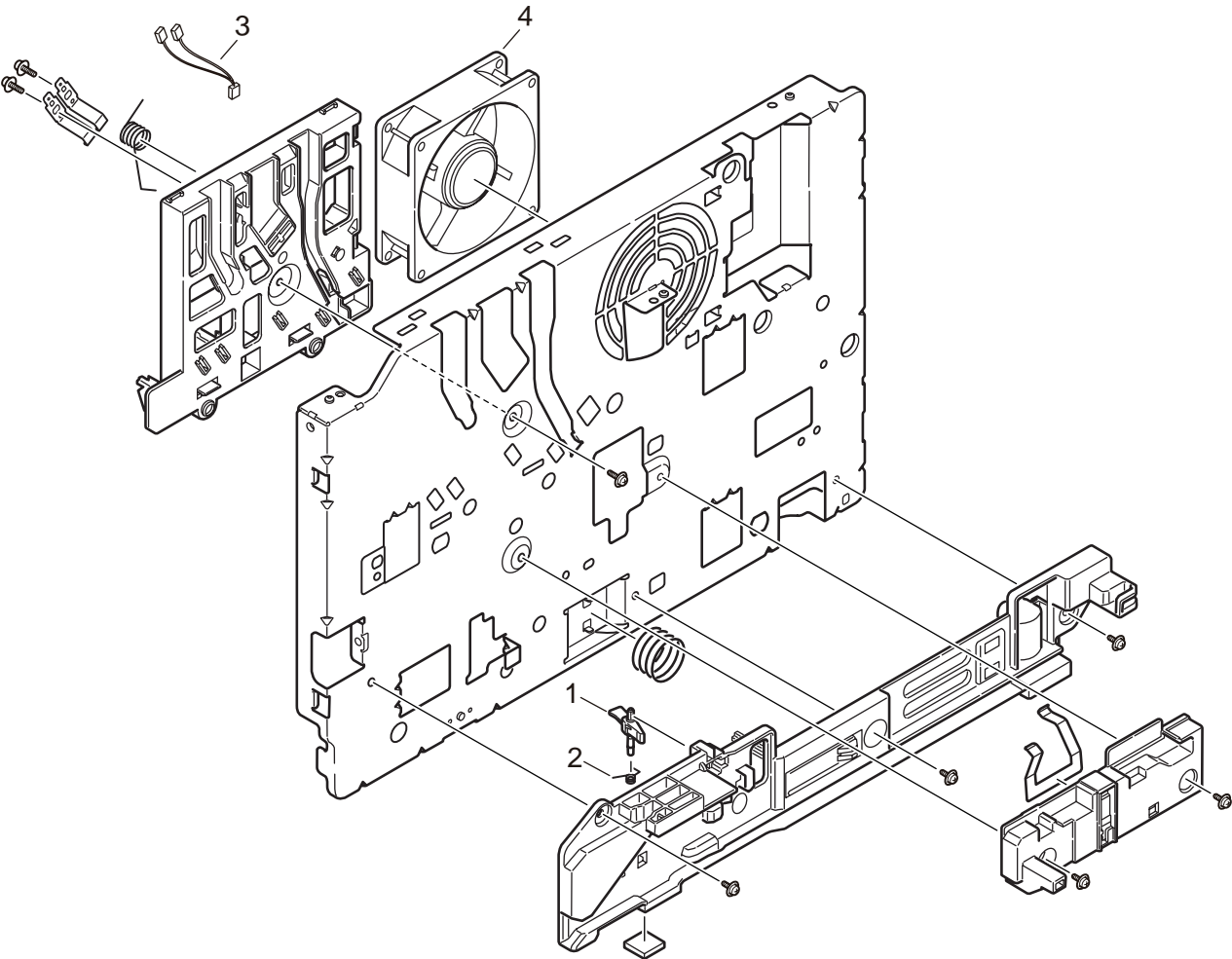
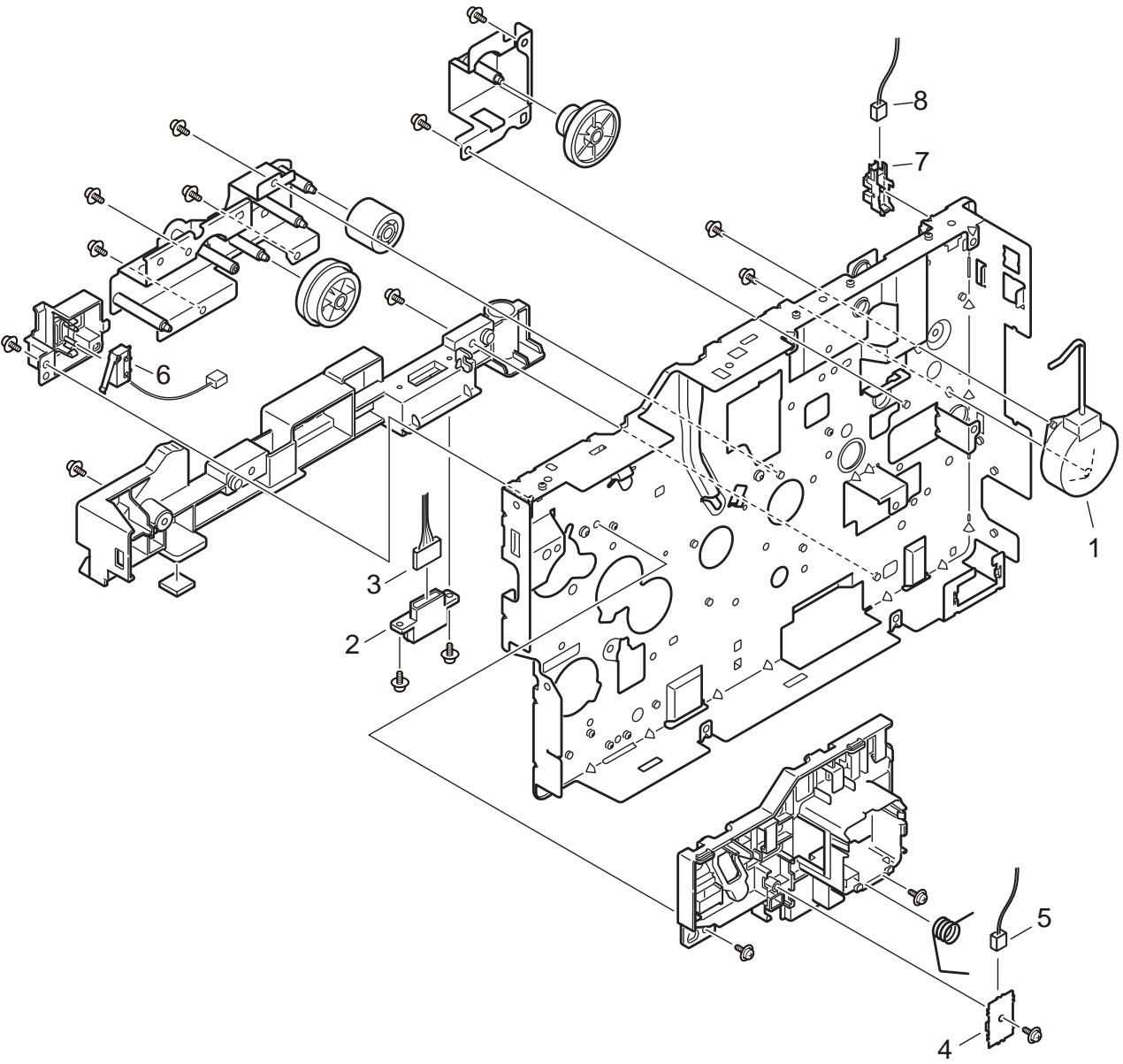
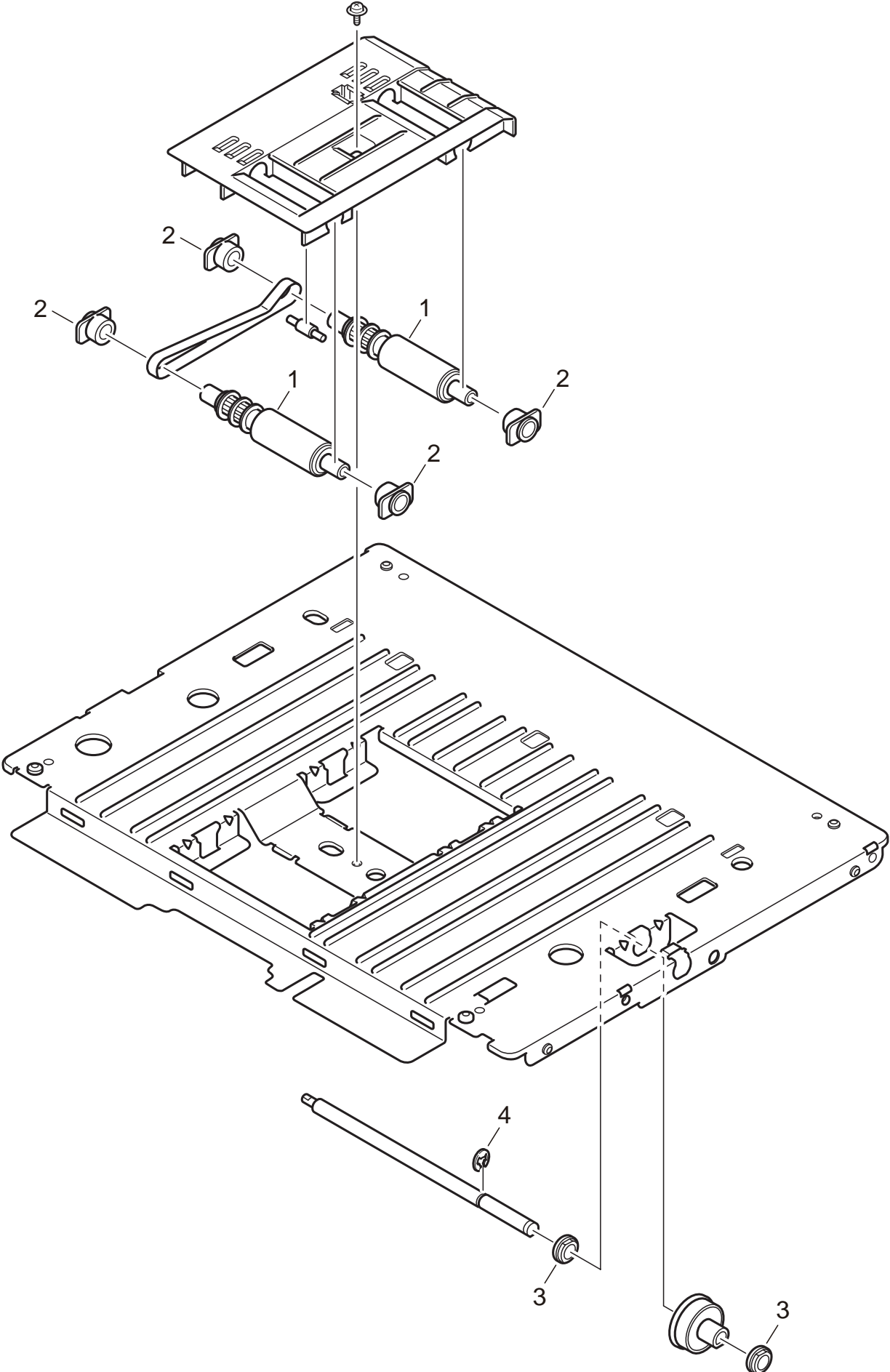


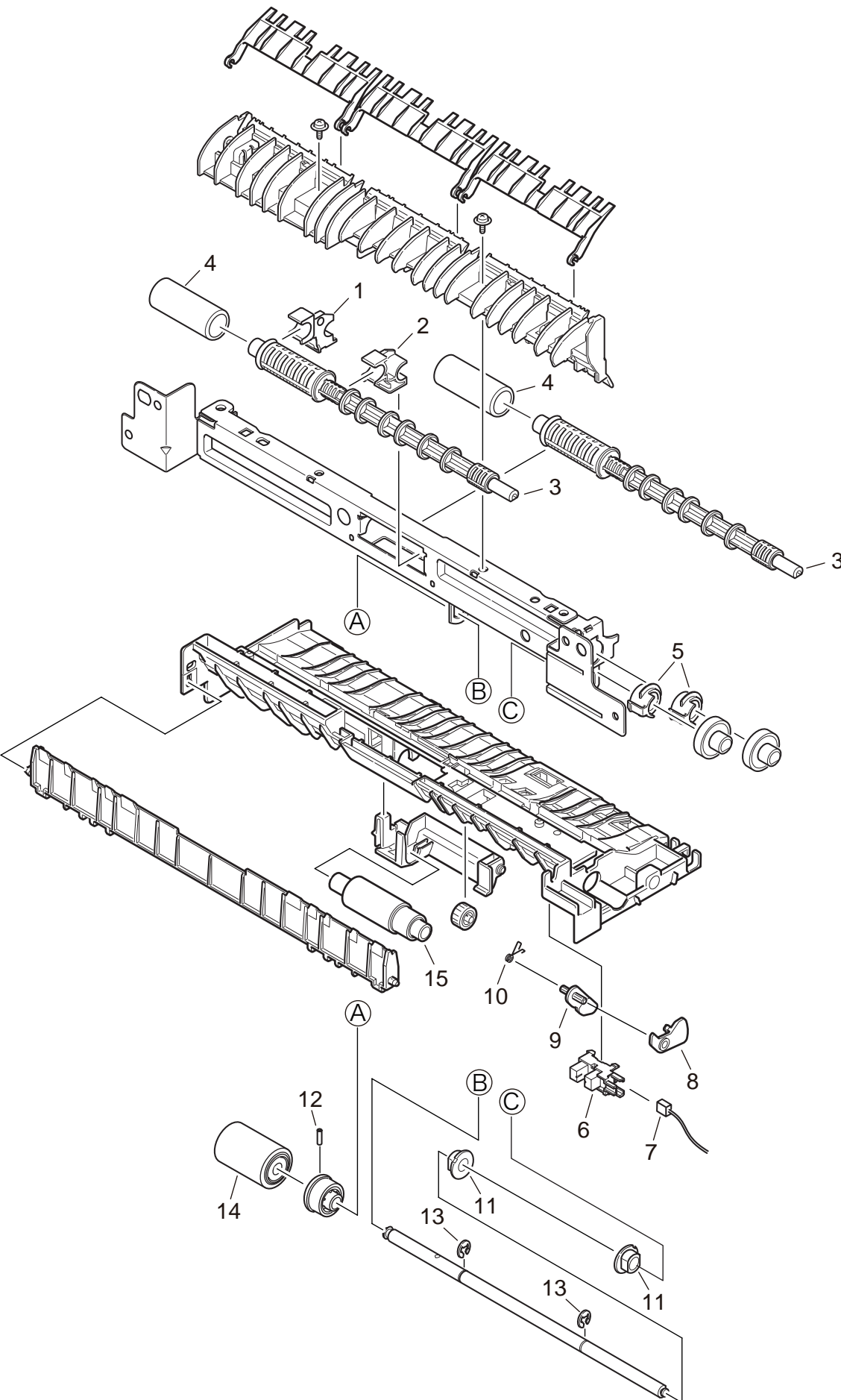
Plate-Assy-Side-R



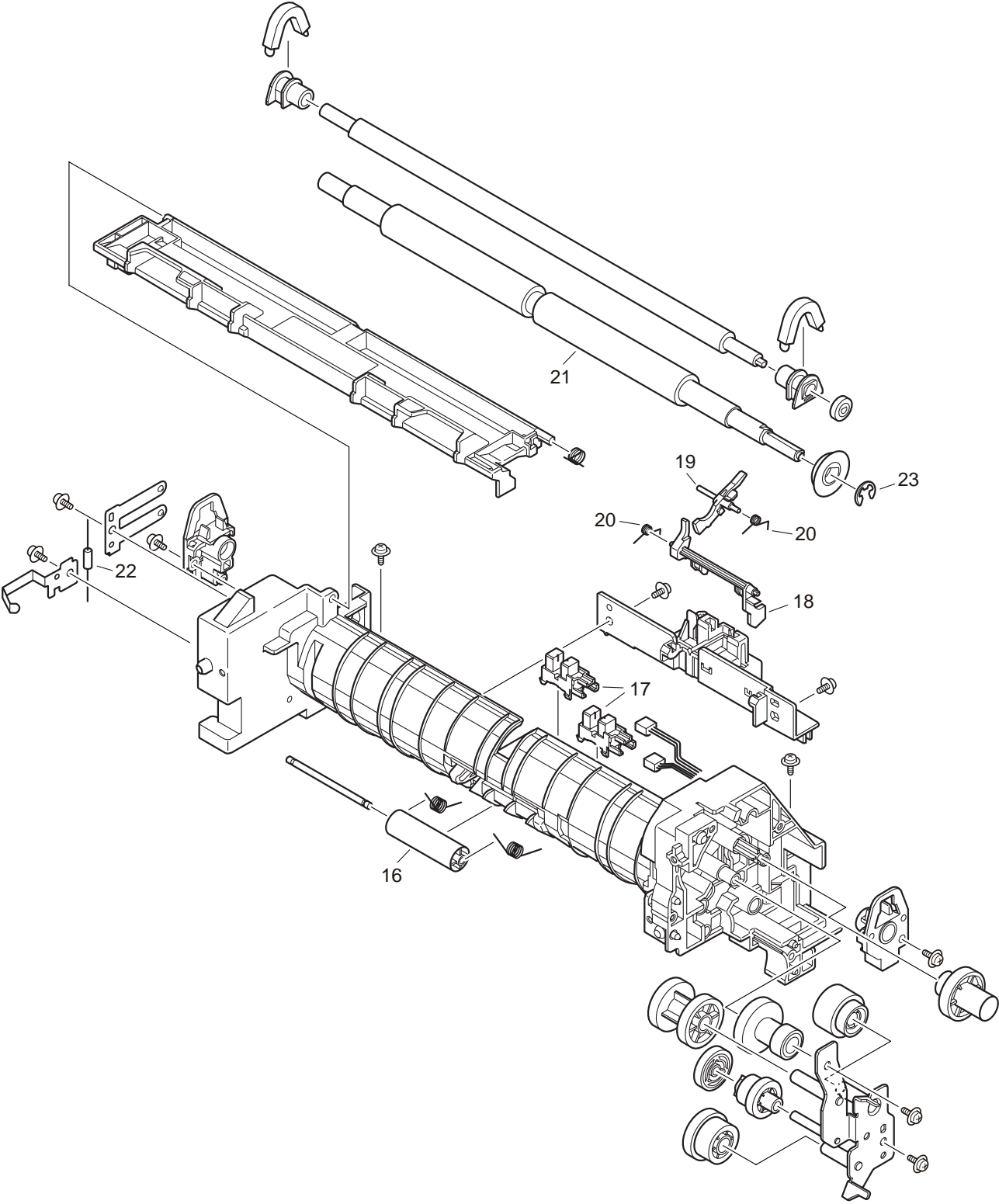
Duplex-Assy



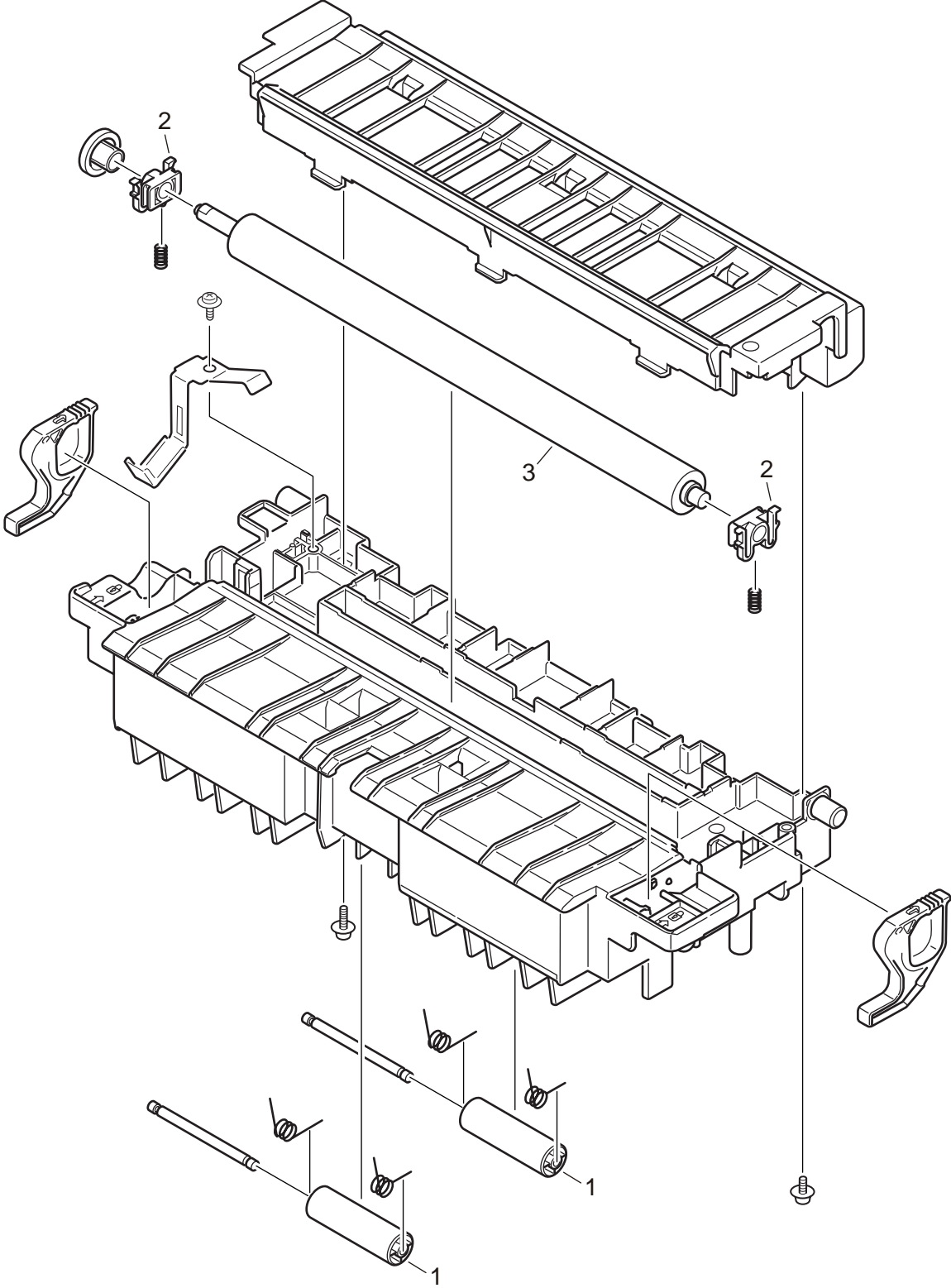
Front-Assy_1



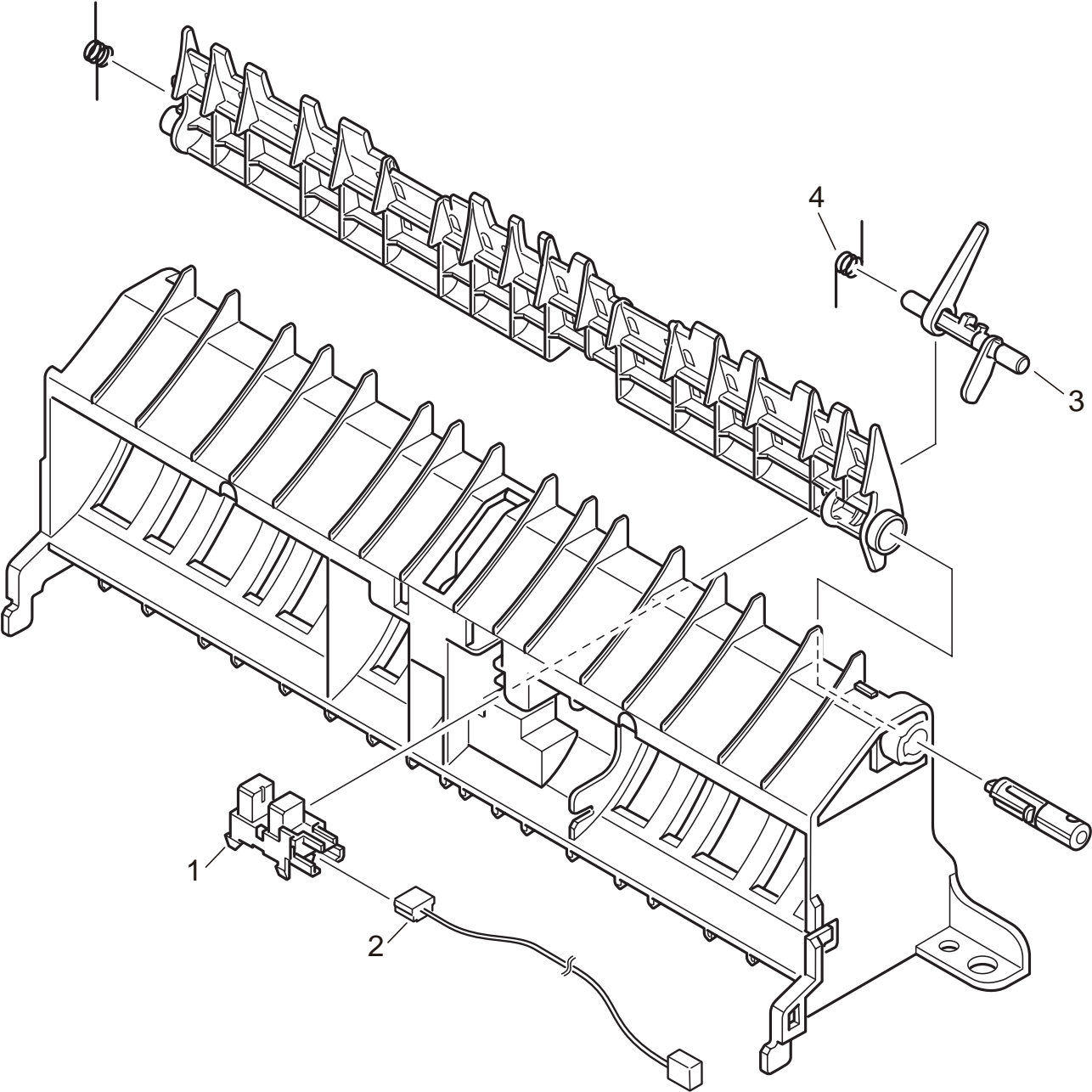
Front-Assy_2



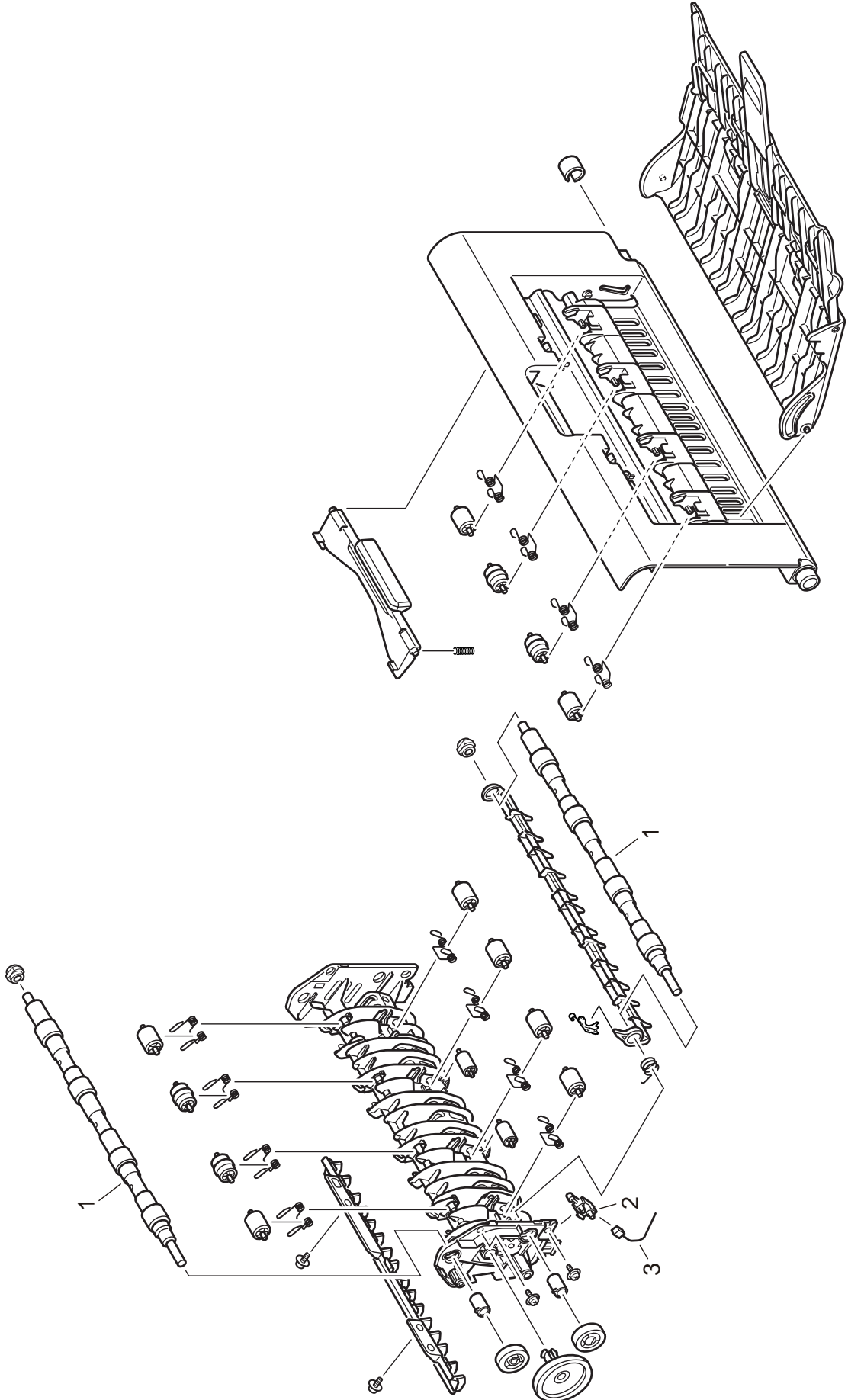
Frame-Assy-TR



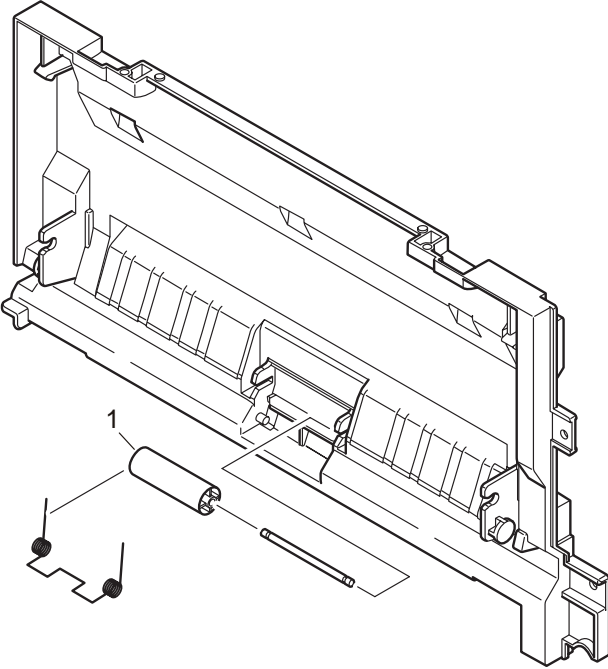
Guide-Eject-Lower-Assy



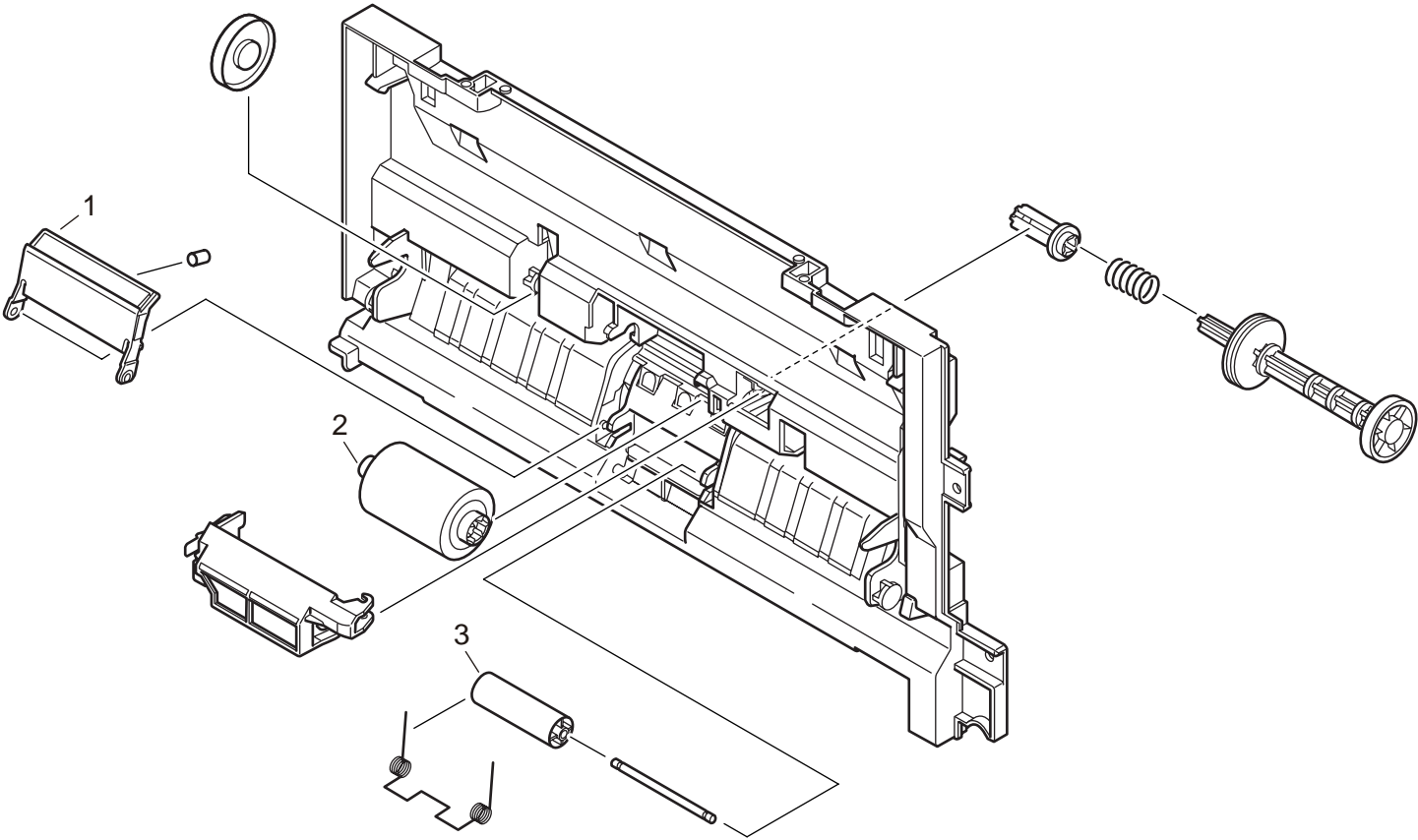
Frame-Assy-Rear



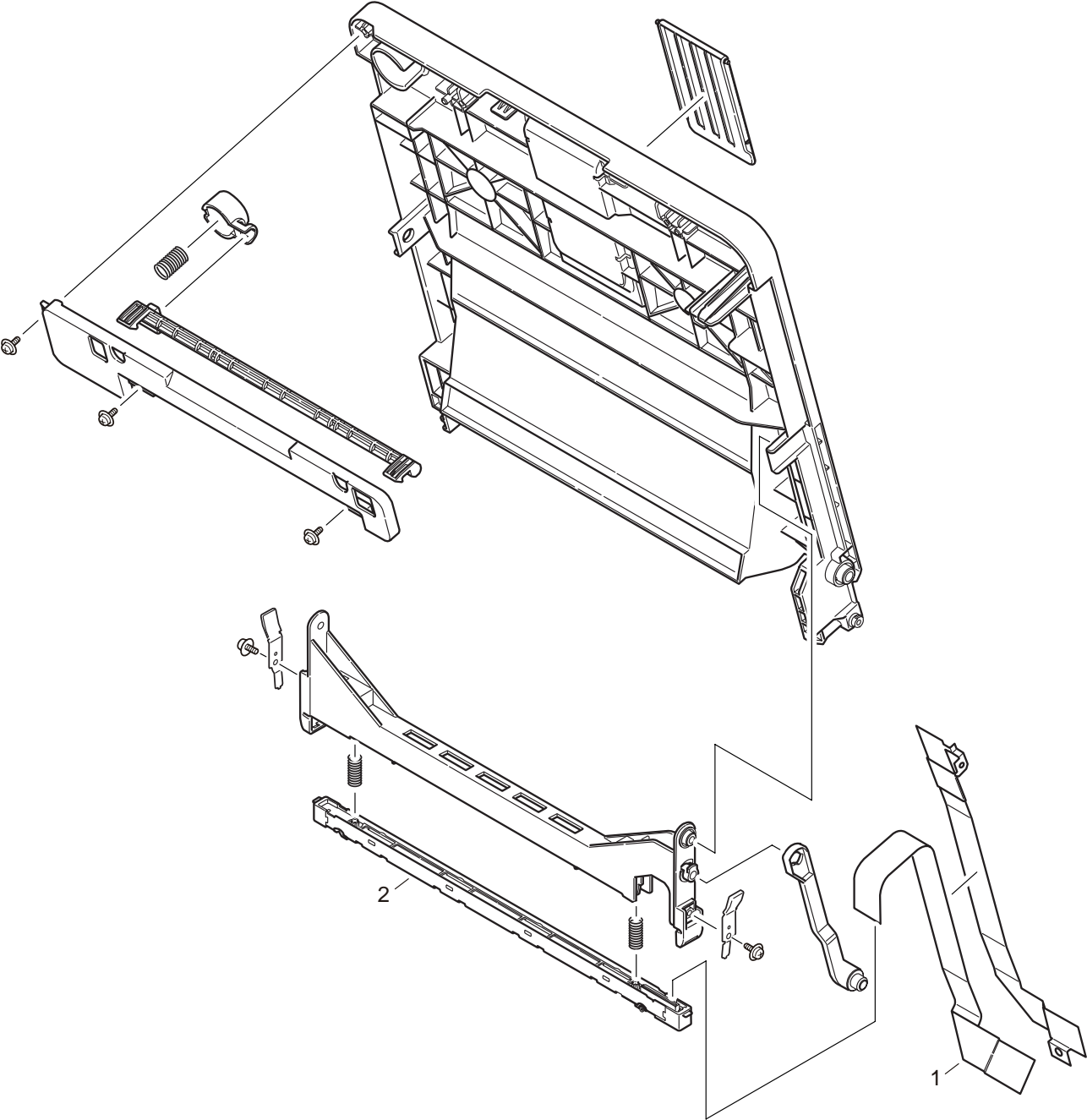
Manual-Assy (B401/B411)



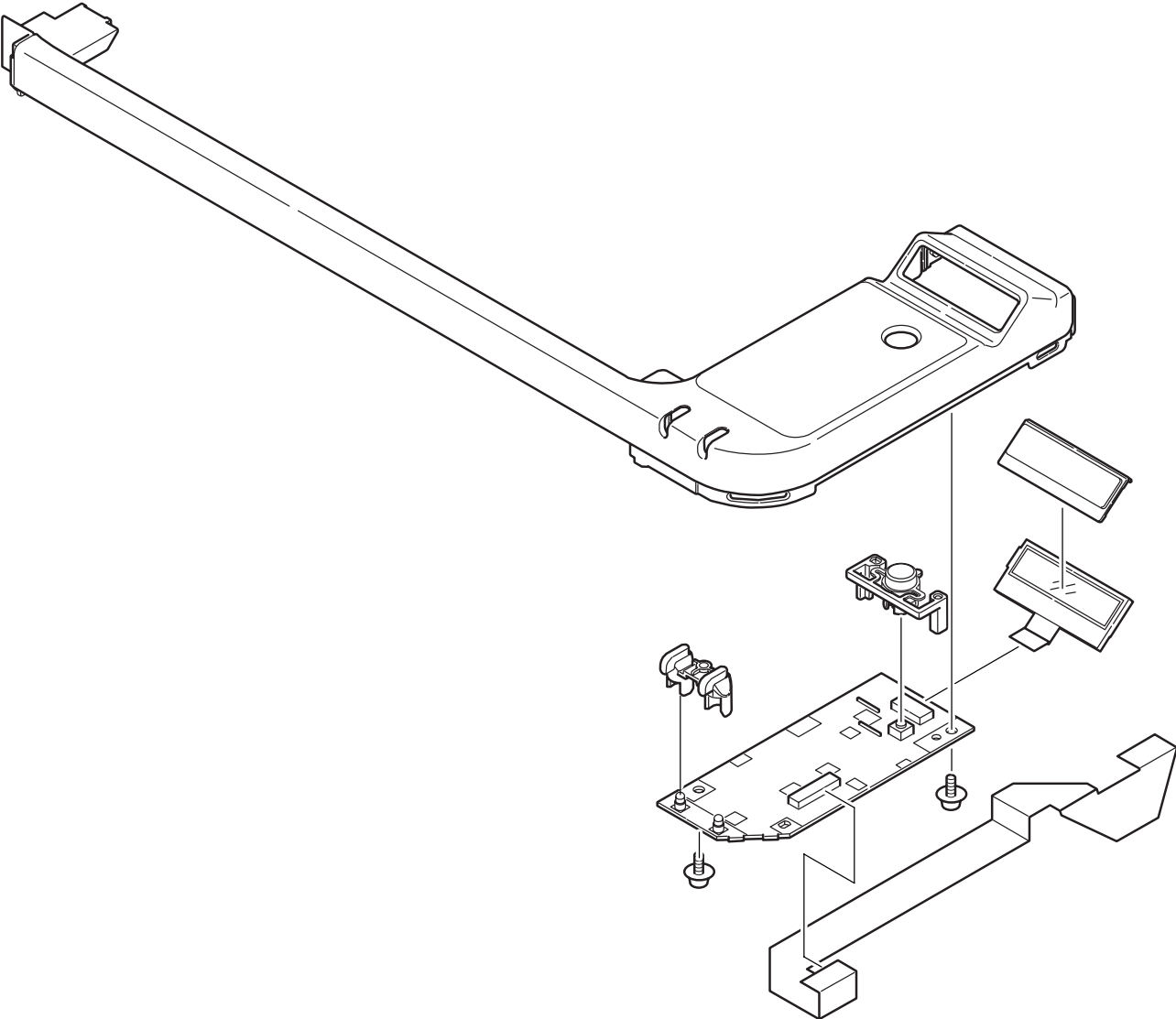
Manual-Assy (B431)



Cover-Assy-Stacker



Cover-Assy-OPE (B401/B411)



Cover-Assy-OPE (B431)

